

The Easy Everything Bag



Featuring

Botanica

Fabric and Bag Designed by Jason Yenter
for

In The Beginning *fabrics*

FINISHED BAG SIZE: approx. 21" x 21" x 6"

Materials

- 2/3 yd. Cream Botanical Drawings (1BOT3) for front and back of bag
- 1 1/4 yds. Light Green Diamond Grid (9BOT4) for lining of bag
- 3/4 yd. Gold Floral Tonal (8BOT3) for sides, bottom, and handles of bag
- 1 1/4 yds. fusible fleece (Pellon #987F or something similar)

Cutting

From Cream Botanical Drawings, cut:

- 2 squares, 22" x 22", for front and back of bag

From Light Green Diamond Grid, cut:

- 2 squares, 22" x 22", for lining
- 2 strips, 6 1/2" x 36", for lining

From Gold Floral Tonal, cut:

- 2 strips, 6 1/2" x 36", for bag sides and bottom
- 2 strips, 3 1/2" x 26", for handles

From fusible fleece, cut:

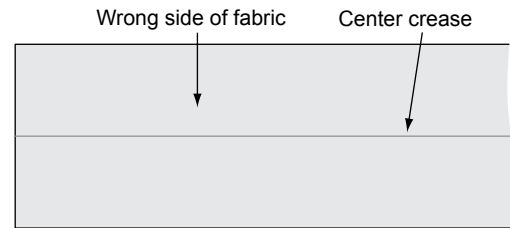
- 2 squares, 22" x 22"
- 2 strips, 6 1/2" x 36"
- 2 strips, 1 1/4" x 26"

Assembly

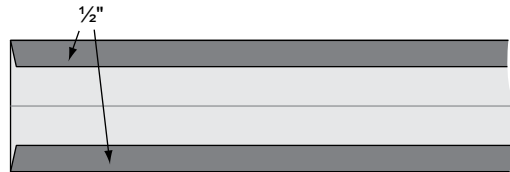
All seams are 1/2" unless otherwise instructed. Backstitch at beginning and end of seams to secure stitching.

1. Place one 22" square of fusible fleece, with the fusible side up, on your ironing board. Place bag front, right side up, on top of fusible fleece. Using a press cloth, and following pressing instructions given with your fusible fleece, fuse together the bag front and fleece. In the same way, fuse together the bag back and remaining 22" square of fusible fleece.

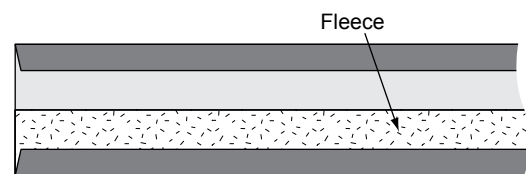
2. Place one 6 1/2" x 36" strip of fusible fleece, with the fusible side up, on your ironing board. Place one Gold Floral Tonal 6 1/2" x 36" strip, right side up, on top of fusible fleece. Fuse together the Gold Floral Tonal strip and fleece. In the same way, fuse together the remaining 6 1/2" x 36" strip of fusible fleece, and Gold Floral Tonal 6 1/2" x 36" strip.
3. Press one Gold Floral Tonal 3 1/2" x 26" strip in half lengthwise, wrong sides together, to make a center crease. Open strip.



With wrong side up, fold over and press 1/2" on each long edge of strip.



Place a 1 1/4" x 26" strip of fusible fleece (fusible side down) on top of the Gold Floral Tonal strip (wrong side up), with one long edge of the fleece next to the center crease, and one long edge tucked under the 1/2" fold of the Gold Floral Tonal strip.



Refold the Gold Floral Tonal strip along the center crease (with the fleece now sandwiched inside) and, using your iron, fuse together the Gold Floral Tonal strip and fleece.

Fold strip on center crease.

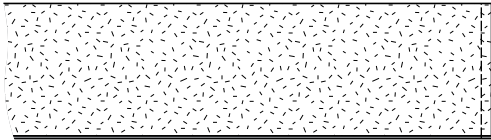


Repeat this sequence to fuse together the remaining 1 1/4" x 26" strip of fusible fleece, and Gold Floral Tonal 3 1/2" x 26" strip.

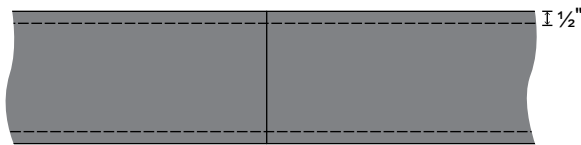
4. Topstitch along each long edge of the two folded strips made in Step 3. These will be the handles of your bag.



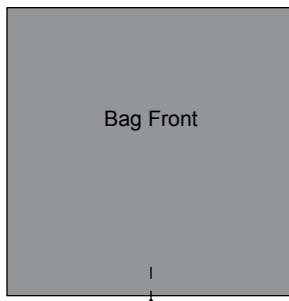
5. Sew together along one short edge, with right sides facing, the 2 fused Gold Floral Tonal 6½" x 36" strips made in Step 2. Press seam open.



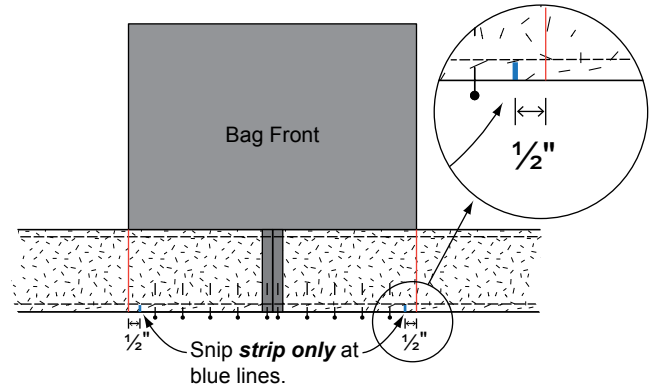
6. Machine stitch, with a regular stitch length, along each long edge of the strip made in Step 5. Your line of stitching should be *just short of* ½" from the strip's edge.



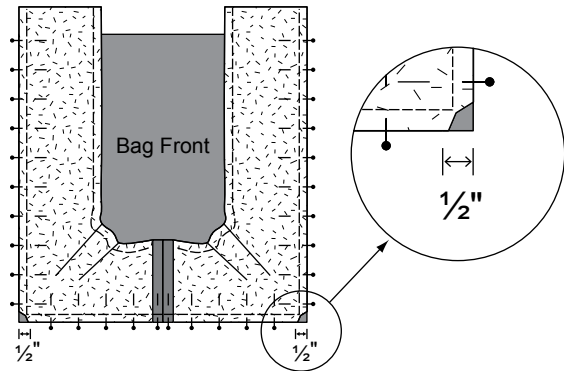
7. Find and mark with a pin, the center bottom edge of the fused bag front.



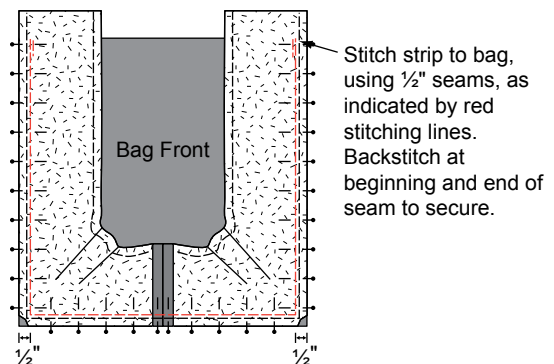
8. With right sides facing, match the center seam line of the long strip from Step 6 with the center bottom edge of the bag front, and pin together at this point. Working from the center toward corners, pin strip to bag. When you are ½" from each corner, make one snip *in the strip only*, going to (not through) the line of stitching. This will allow the strip to turn easily at the corner.



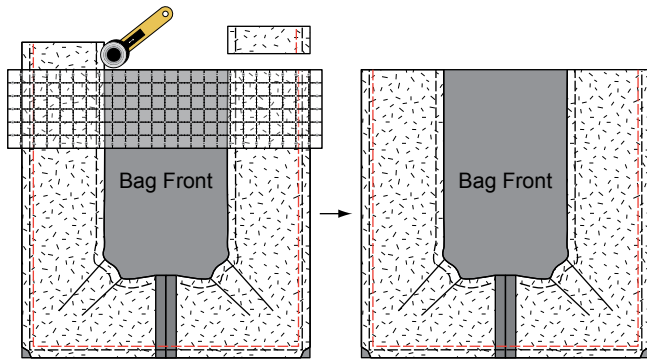
Turn each corner, and continue to pin the strip to each side of the bag front, ending at the top of the bag. Your strip should extend beyond the bag top. The ends of the strip will be trimmed after sewing.



9. Stitch strip to bag front. Starting at top of bag, sew side seam. At corner, lift the presser foot (with the needle still in the fabric), and pivot. After pivoting, lower presser foot, and continue sewing to next corner. Pivot as on the first corner, and sew the remaining side seam.



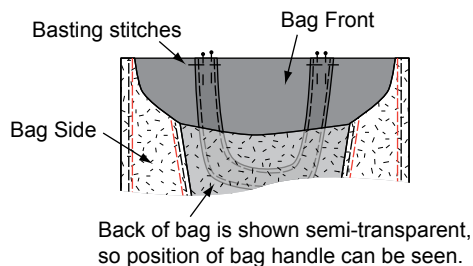
10. Using an acrylic ruler and rotary cutter, trim ends of strip even with top of bag.



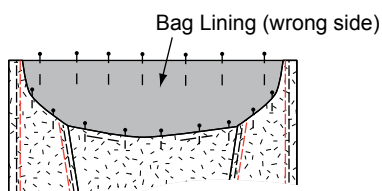
11. Repeat Steps 7-9 to sew the bag back to the bag front/side section just made.

12. To make bag lining, repeat steps 5-11, this time using Light Green Diamond Grid lining pieces. (Note: Fusible fleece isn't used with the lining pieces.)

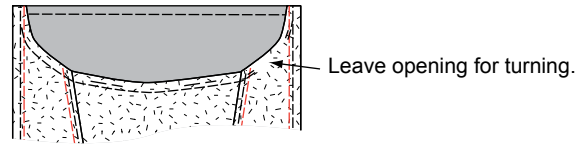
13. On the top edge of the bag front, measure in 5" from each side, and pin (raw edges matching) one handle to the bag as shown. Similarly, pin the second handle to the bag back. Machine-baste the handles in place, stitching $\frac{3}{8}$ " from the edge of the bag.



14. Make sure that the bag is wrong side out. Turn bag lining right side out, and insert lining into bag. (The right sides of bag and lining should be facing each other.) Matching seams (the handles should be hanging down inside the bag) and raw edges, pin bag and lining together around the top.

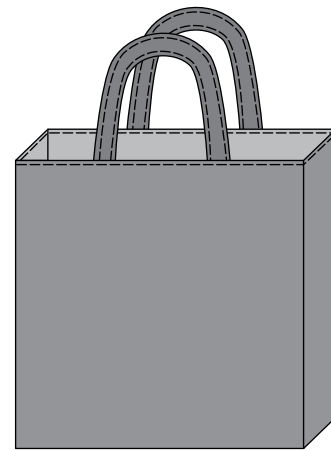


15. Using a $\frac{1}{2}$ " seam allowance, sew bag and lining together at top edge, leaving a 5" opening for turning.



16. Gently pull bag, right side out, through opening. Tuck lining into the bag. Press top edge of bag, and pin the 5" opening closed.

17. Edge-stitch around the top of bag.



18. Enjoy your finished bag!